

Loop Assy.
Typ. Ea.
Duplexer

8" Alum.
Irrigation
Tubing
0.063" T4

2-3" Alum.
Irrigation
Tubing
0.063" T4

2-3" Alum.
Conduit
0.125" T4

12"

47"

57"

Loop Mtg. Hole
Use 3 tapped
Screws to Secure
@ 120 degrees ea.

1/2" Alum Plate

Top Plate Detail

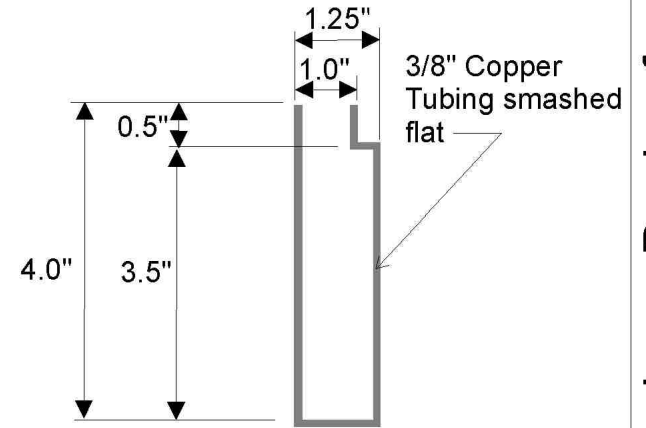
Center Plunger Mtg. Hole
Use 3 tapped
Screws to Secure
@ 120 degrees ea.

1.5"

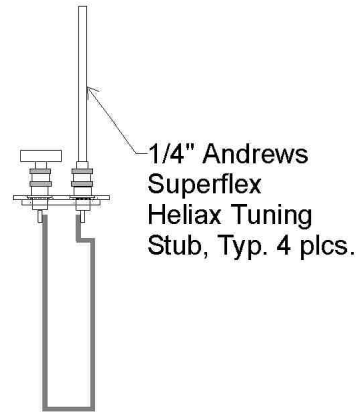
1.25"

Loop Disc Detail

Place Chassis Mount
BNC's Typ. 2 plcs.



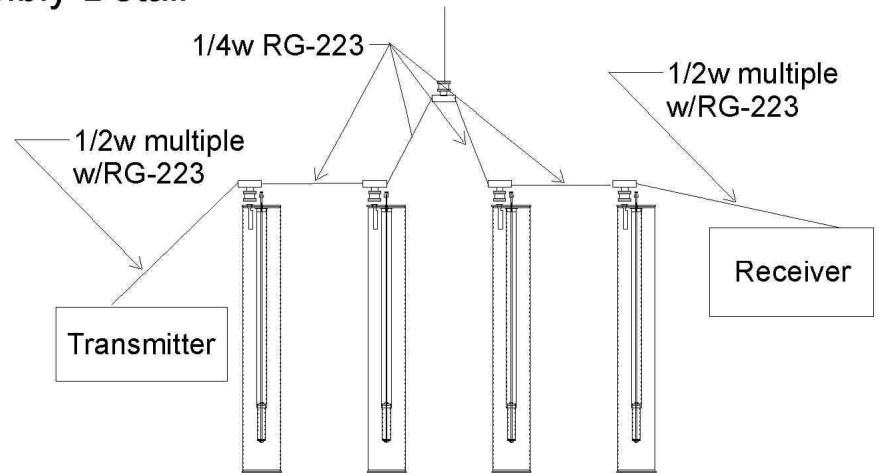
Coupling Loop
Detail



Loop Assembly Detail

Use Bandsaw
to slot end of
Plunger into
Contact fingers
& bend to fit.

Use Set Screw
to secure.
Typ. 2 plcs



Gary L. Peterson, NZ5V.

Duplexer Design for 6m